



# ANTI-CAVITATION VALVE



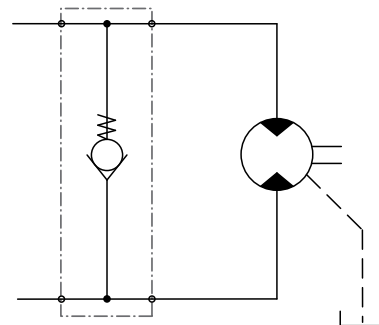
## Anti-cavitation valve for Sunfab's hydraulic motor SCM

Sunfab's anti-cavitation valve is used to minimise the risk of cavitation damage in connection with insufficient inlet pressure.

This can occur, for example, in applications with a relatively large rotating mass with a long run-down time (e.g. fan operations). The hydraulic motor must have a defined direction of rotation when using Sunfab's anti-cavitation valve. The valve can be adapted to both left and right rotation.

## Function:

A check valve between the pressure and return ports opens to ensure a flow of oil to the motor if the inlet pressure to the motor becomes too low. It is therefore important to have a specific back pressure on the return line, which if necessary can be created by means of a back-pressure valve.

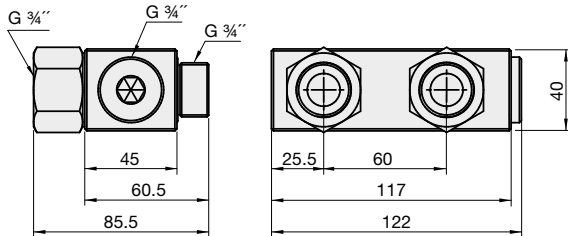


### For motor SCM

		010-034 S3	010-034 K3	040-064	084-130
Max. continuous pressure	bar	350	350	350	350
Max. intermittent pressure	bar	400	400	400	400
Weight	kg	1.6	1.7	3.9	3.4

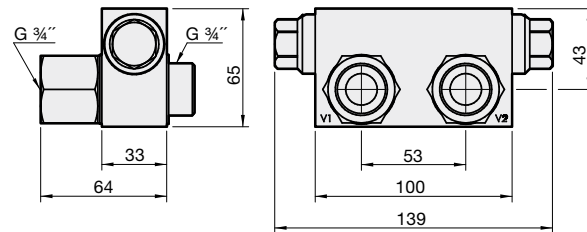
## Dimensions anti-cavitation valve

Valve for SCM 010-034 S3  
Part No. 91199



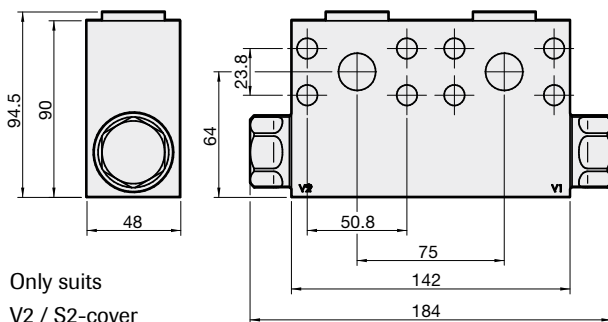
Only suits S3-cover

Valve for SCM 010-034 K3  
Part No. 91024



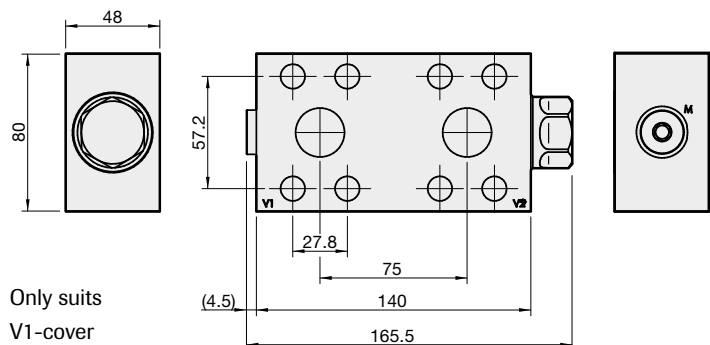
Only suits K3-cover

Valve for SCM 040-064  
Part No. 91025



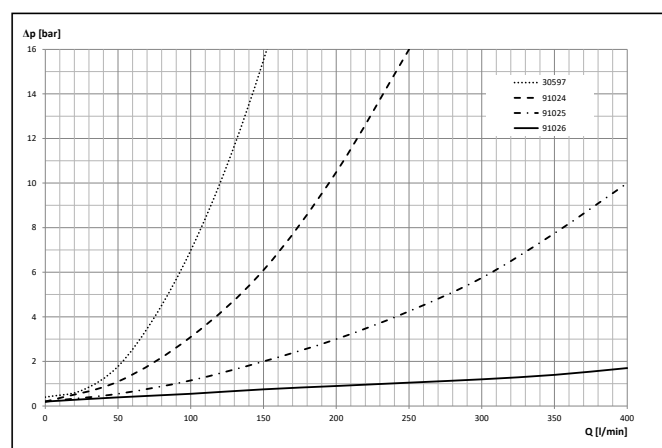
Only suits  
V2 / S2-cover

Valve for SCM 084-130  
Part No. 91026



Only suits  
V1-cover

Type SCM	010-034 S3	010-034 K3	040-064	084-130
Valve part. no.	30597	91024	91025	91026
Bolt kit part. no.	-	-	50854	50855
Min-max flange height [mm]	-	-	16-21	21-25
Flange kit part. no.	-	-	50857	50858
Flange thread dim.	-	-	G 3/4"	G 1"



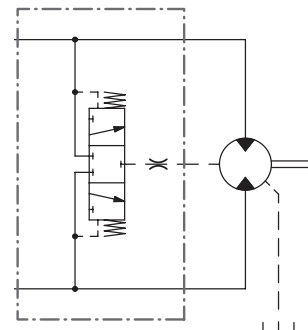
Valve opening pressure 0,3 bar



## Flushing valve for SUNFAB hydraulic motor SCM

SUNFAB's flushing valve ensures that the oil temperature inside the motor housing remains at the recommended level. Excessively high temperatures reduce the service-life of the shaft seal and the viscosity of the oil deteriorates.

**Function:**  
A small proportion of the motor's return oil flow is flushed through the motor housing and reduces the housing temperature.

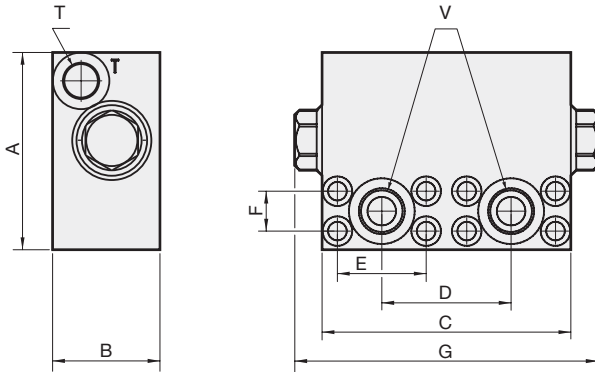


For motor SCM*		025-034	040-064	084-130
Flushing flow	l/min	6-8	8-10	10-12
Flushing pressure	Bar	20-30	20-30	20-30
Max. continuous pressure	Bar	350	350	350
Max. intermittent pressure	Bar	400	400	400
M6 orifice	mm	1.7	1.9	2.1
Weight	kg	3.4	5.4	6.2

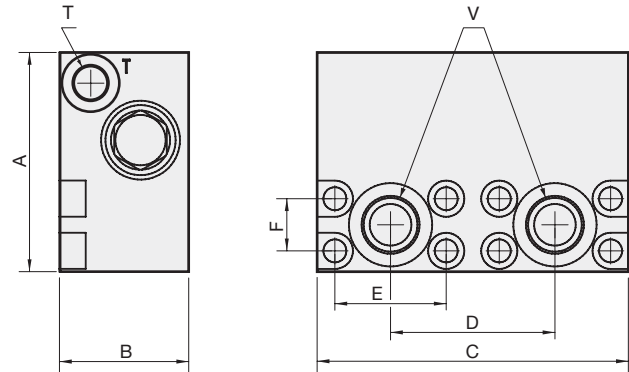
\*Only suits SUNFAB motors with V2 back covers whose bolt pattern matches that of the valve.  
*Subject to design alteration*

## Dimensions flushing valve

Valve for SCM 025-034

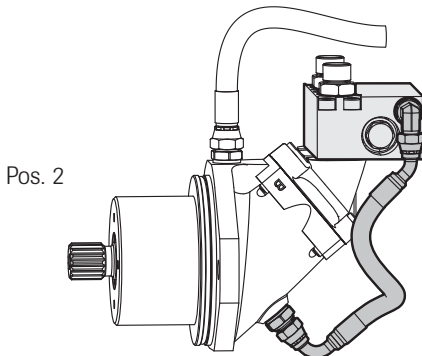
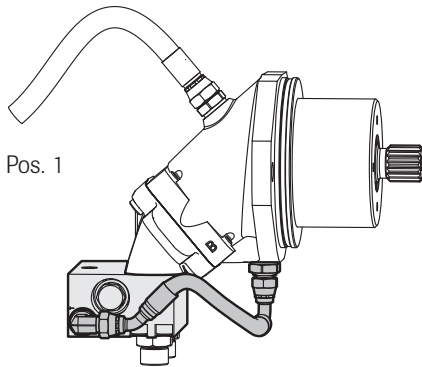


Valve for SCM 040-130

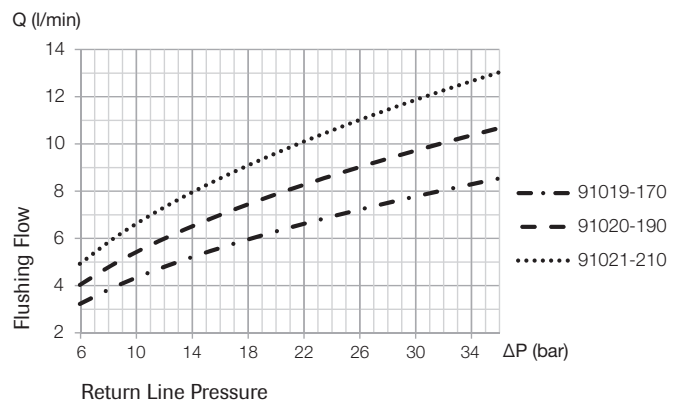


Type SCM	Dimension								
	A	B	C	D	E	F	G	T	V
025-034	90	49	113.5	59	40.5	18.2	138.4		G 1/2"
040-064	100	59	142	75	50.8	23.8	-	G 3/8"	G 3/4"
084-130	108	59	160	84	57.2	27.8	-		G 1"

## Mounting options



Type SCM	025-034			040-064			084-130			
Valve art no.	91019-170			91020-190			91021-210			
Bolt kit art no.	50851			50852			50853			
Hose kit art no.	M2	ISO	SAE	M2	ISO	SAE	M2	ISO	SAE-C	SAE-D
Pos 1	50847	50848	50949	50848	50848	50949	50848	50848	50949	50949
Pos 2	50847	50848	50948	50849	50849	50950	50849	50850	50950	50952



The drainage pipe should be connected to uppermost drainage outlet.  
Initial opening pressure 5,7 bar. Valve fully switched at 9,3 bar.  
For requests of other flushing flows, please contact Sunfab Hydraulics.

Sunfab reserves the right to make changes in design and dimensions without notice. Printing and typesetting errors reserved.

© Copyright 2015 Sunfab Hydraulics AB. All Rights Reserved.